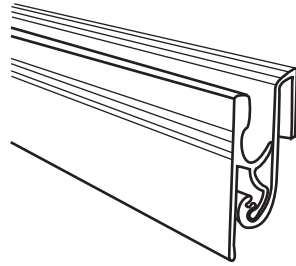


# Mounting Instructions

# SUPREME 1™

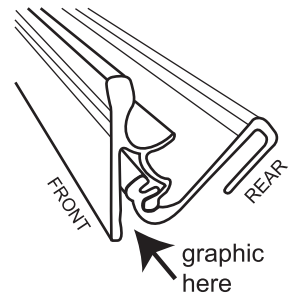
1.

Pry open the top profile bar by prying the 2 sides apart in the middle of the top profile bar. (Hint: You may need a screwdriver or other lever as the bar is clamped tight.)



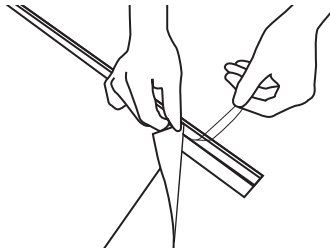
2.

Slide the top of your graphic print into the small channel at the front of the top profile bar. Align your print and snap the profile bar closed tightly.



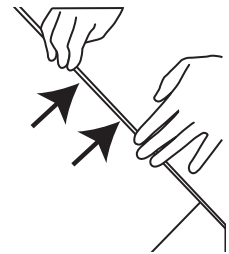
3.

Mount the plastic panel strip to the bottom rear of the graphic panel by removing the pink protective covering on the double sided tape a few inches at a time.



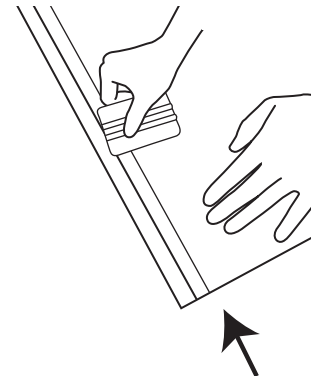
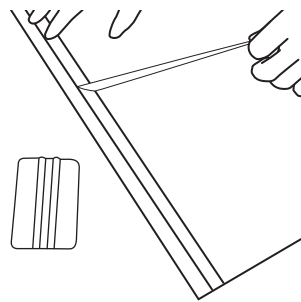
4.

Press the graphic firmly against the panel strip to ensure good adhesion to the tape.

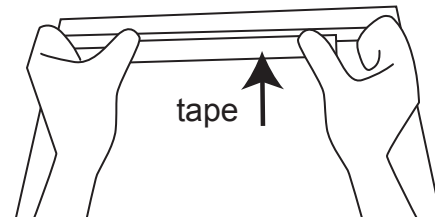


5.

Repeat steps 3 and 4 with the yellow protective covering.

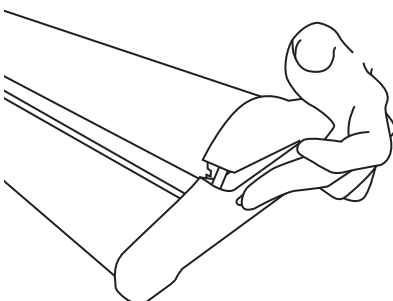


\*\*\*For additional protection, secure the plastic panel strip to the rear of the panel with an extra strip of tape.\*\*\*



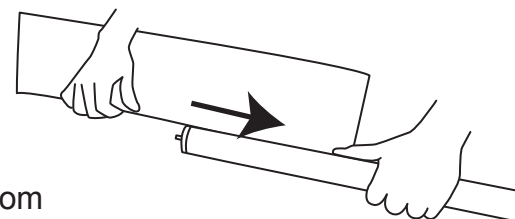
6.

Open the cover by pressing the blue buttons at either end of the base unit, and remove the internal roller.



7.

Slide the bottom panel strip into the slot on the roller.

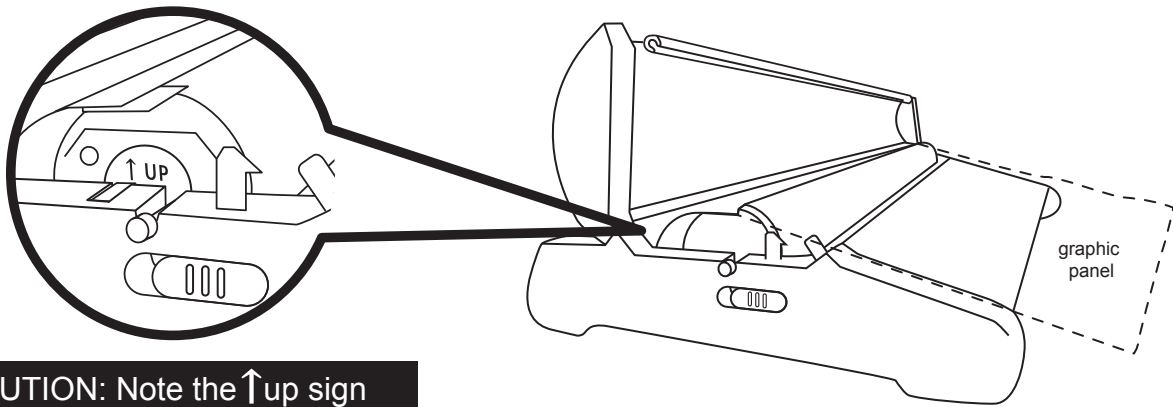


continued...

# Mounting Instructions

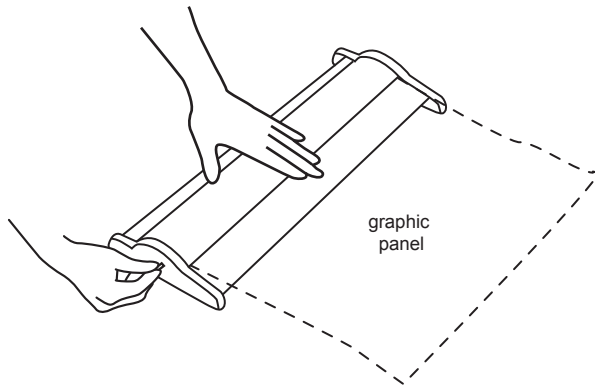
**SUPREME 1™**

8. Return the internal roller into the base unit. Ensure the roller is properly mounted into the base and close the cover. The panel will be resting outside the base unit.



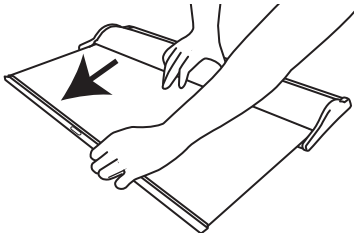
**CAUTION: Note the ↑up sign**

9. While holding the graphic panel outside the base unit, remove the locking pin and slowly let the graphic panel retract into the base unit. Set up your Supreme 1 by following the Set Up instructions.

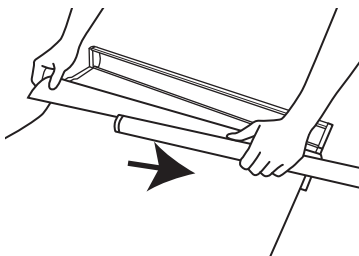


## Changing Graphics

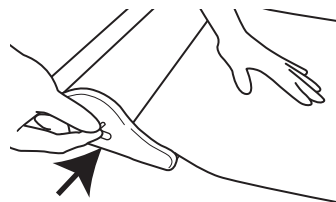
- a. Pull the graphic out slightly.



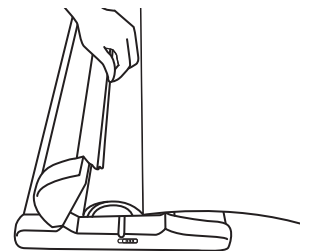
- d. Unroll the remainder of the graphic and slide the panel strip out from the internal roller.



- b. Insert the locking pin into the right end plate completely. Once locked, the panel will not retract into the base unit.



- c. Press the buttons at either end of the base unit to open the cover.



- e. Follow the directions to mount a new graphic.